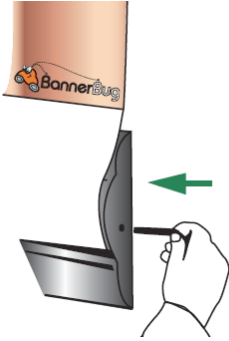


# BannerBug®

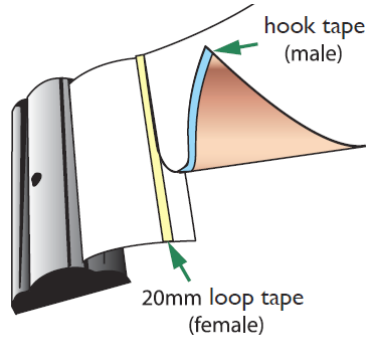
RETRACTABLE BANNER STAND



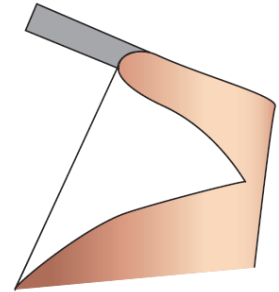
## GRAPHIC REPLACEMENT INSTRUCTIONS



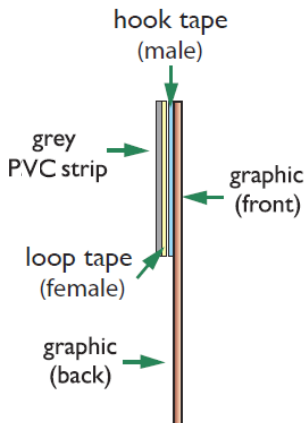
1. Release the graphic panel completely from the system to expose the PVC tongue and graphic join. Place the pin into the side of the unit when the hole on the roller lines up with the hole in the end cap.



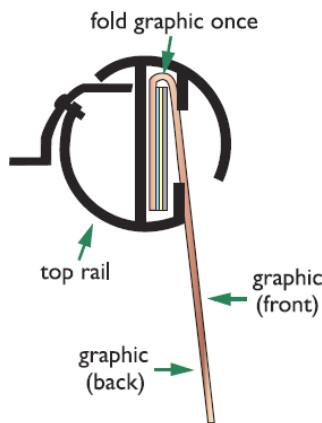
2. Carefully remove the existing graphic panel from the PVC tongue. Add 0.78" (20mm) hook tape (male) to the base of the new graphic panel and then place in the same position.



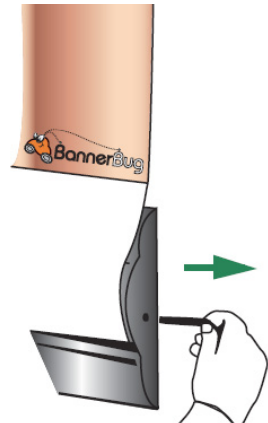
3. Slide the top rail off the old graphic panel and carefully remove the grey PVC strip (female loop attached) from the print.



4. Add 0.63" (16mm) hook tape (male) to the top of the new graphic panel and apply the existing grey PVC strip.



5. Fold the top of the new graphic backwards once and then slide into the top rail.



6. While carefully holding the graphic, remove the pin from the side of the system and gently allow the graphic to roll back into the unit.

### Canada

105 Nuggett Court,  
Brampton,  
Ontario, L6T 5A9,  
Canada  
[toronto@drytac.com](mailto:toronto@drytac.com)  
Tel: +1 800.353.2883

### USA

5601 Eastport Boulevard,  
Richmond,  
Virginia, 23231,  
USA  
[customerservice@drytac.com](mailto:customerservice@drytac.com)  
Tel: +1 800.280.6013

# DRYTAC®

## ADHESIVE SCIENCE

[www.drytac.com](http://www.drytac.com)